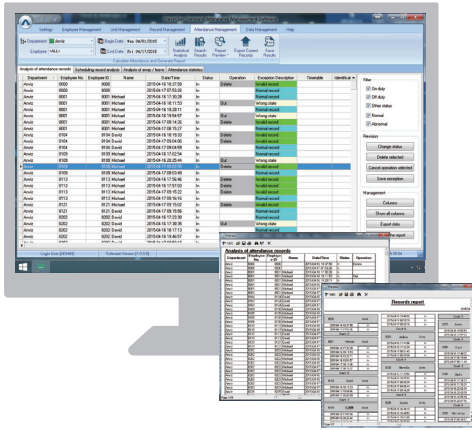




# CrossChex

Time Attendance and Access Control Management System

CrossChex is an intelligent management system of time attendance and access control devices, which is applicable to all Anviz time attendances and access controls. The user-friendly and interactive design makes this system very easy to operate, the powerful function makes this system realize the management of department, staff, shift, payroll, access authority, and exports different time attendance and access control reports, satisfying different time attendance and access control requirements in different complicated environments.



## Features

- Manages departments and employees
- Manages devices and access restrictions
- Manages schedules, shifts and reports
- Rules out unauthorized overtime
- Imports/exports data in various file formats, such as CSV, XLS/XLSX, PDF, etc.
- Exports attendance reports to 3rd party accounting/payroll software
- Sends reports via email
- Connect to SQL database or Access database for easy installation and maintenance

\*Support all Anviz Biometric/RFID access control and time&attendance devices



Easy to Operate



Simple to Install



Expansion and Integration



Enhanced Security

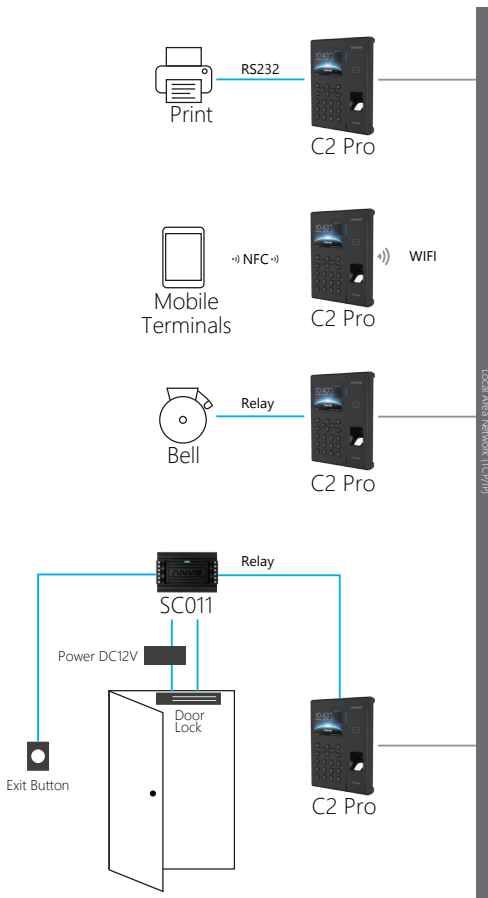


Types of Reports



Auto Upgrade

## C2 Pro Application



## C2 Pro Platform Application

